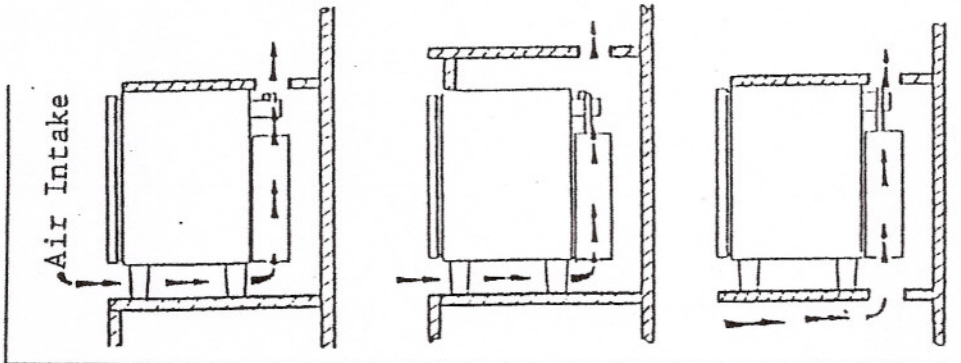


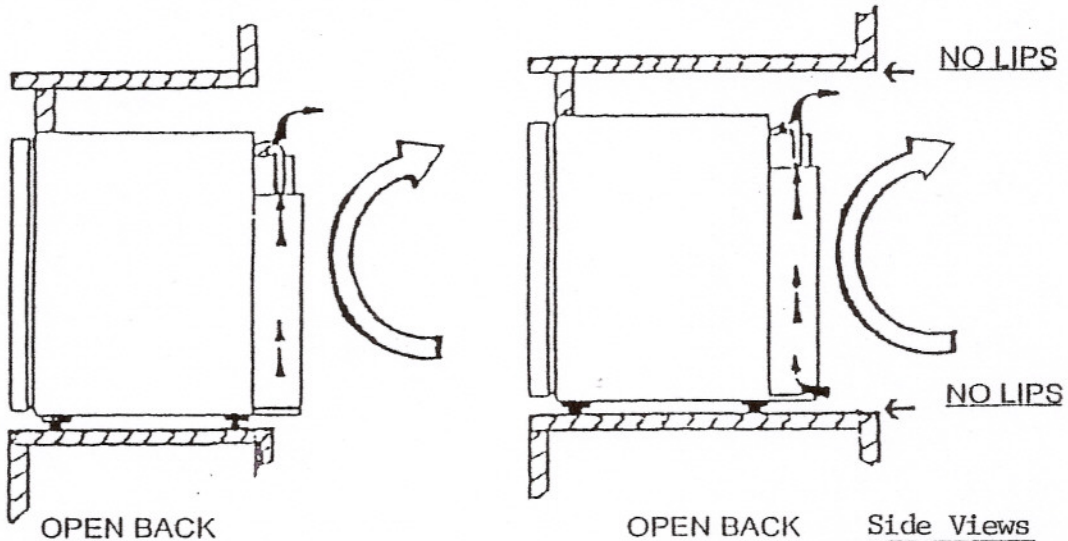
VENTILATION INSTRUCTIONS



THESE SKETCHES ILLUSTRATE DIFFERENT METHODS OF PROVIDING ADEQUATE AIR-FLOW TO THE COOLING SYSTEM ON THE BACK OF REFRIGERATOR.

Side Views

FOR MAXIMUM REFRIGERATOR PERFORMANCE – USE OPEN BACK ON HOST CABINET



OPEN BACK

OPEN BACK

Side Views

TYPICAL METHOD OF PROVIDING VENTILATION FOR ALL MINIBARS

IF YOU ARE CONSIDERING INSTALLING YOUR MINIBAR INTO GUESTROOM FURNITURE, THE MINIBAR NEEDS FRESH AIR CIRCULATION. YOU ESSENTIALLY NEED TO CREATE A CHIMNEY EFFECT WITH FRESH AIR ENTERING INTO THE MINIBAR COMPARTMENT (INTAKE) AND EXITING FORM THE OPEN BACK OF THE FURNITURE (OUTTAKE). THE OPEN CROSS SECTION FOR FRESH AIR SUPPLY AND EXTRACTED AIR MUST BE AT LEAST 30 SQUARE INCHES AND THE AIRFLOW AROUND THE MINIBAR SHOULD BE UNRESTRICTED. IF YOU HAVE ANY QUESTIONS, OR WOULD LIKE TO CONFIRM YOUR VENTILATION DRAWINGS BEFORE PRODUCTION, OUR EXPERTS WILL BE HAPPY TO HELP.

LEVEL

THE DOWNWARD CIRCULATION OF REFRIGERANT INSIDE THE ABSORPTION COOLING MINIBAR RELIES ON GRAVITY. THEREFORE, FOR PROPER REFRIGERANT CIRCULATION TO TAKE PLACE, THE MINIBAR MUST BE LEVEL IN BOTH DIRECTIONS, WHEN THE REFRIGERATOR IS IN POSITION, BE SURE TO CHECK THAT IT IS LEVEL FROM SIDE TO SIDE, AND FROM FRONT TO BACK.